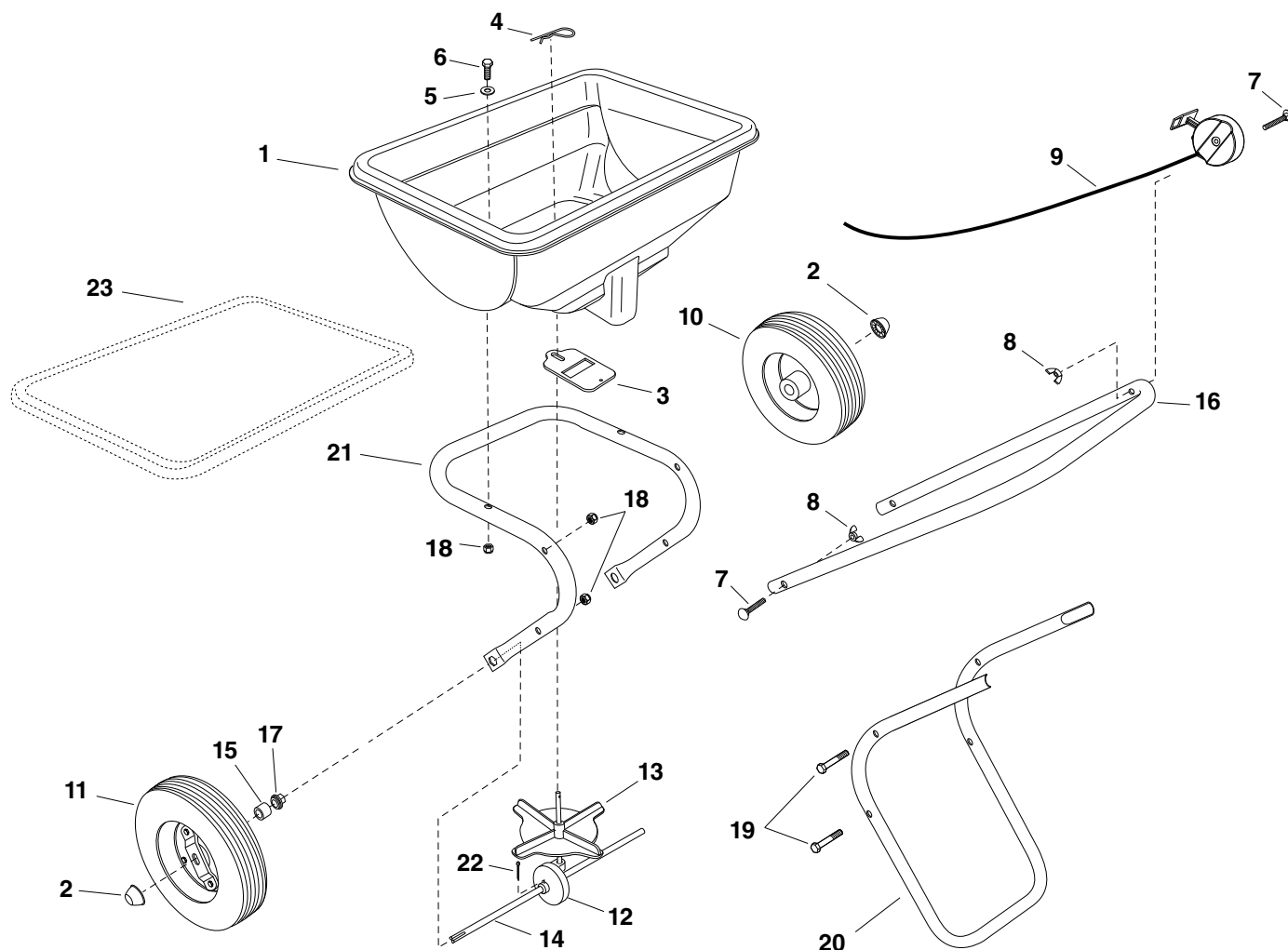


45-03883-KD



REF	PART NO.	QTY	DESCRIPTION	REF	PART NO.	QTY	DESCRIPTION
1	47994BLK	1	Hopper	13	45504	1	Impeller
2	44663	2	Hub Cap	14	40903	1	Axle
3	45505	1	Flow Slide	15	47851	2	Plastic Spacer
4	43343	1	Hairpin Agitator	16	47985BL3	1	Handle Tube
5	43088	2	Washer, 1/4 Std	17	47963	2	Hex Flange Bearing
6	43648	2	Hex Bolt, 1/4-20 x 1-1/2"	18	47189	6	Nut, Nylock 1/4"
7	45165	3	Carriage Bolt 1/4-20 x 2"	19	46699	4	Hex Bolt, 1/4-20 x 2"
8	47141	3	Wing Nut, Nylon 1/4-20	20	28106	1	Leg Tube
9	45360	1	Control Cable Assembly	21	49085BL3	1	Frame Tube
10	46503	1	Wheel & Tire Assembly	22	43501	1	Cotter Pin, 9/64" x 1-1/2"
11	48865	1	Wheel & Tire Assembly /w Drive	23	40883		Hopper Cover (Optional)
12	69209	1	Gearbox Assembly		28075	1	Owner's Manual

SpeedEPart the fastest way to purchase parts www.speedepart.com